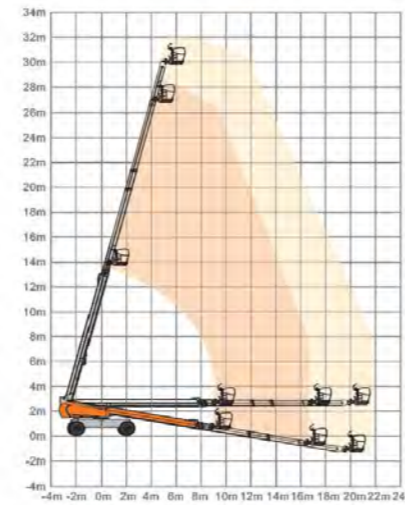
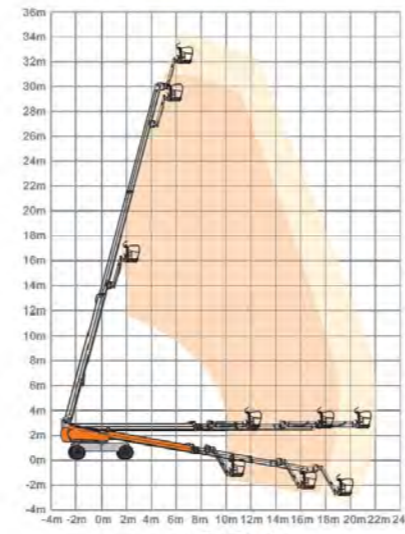


GTBZ-S

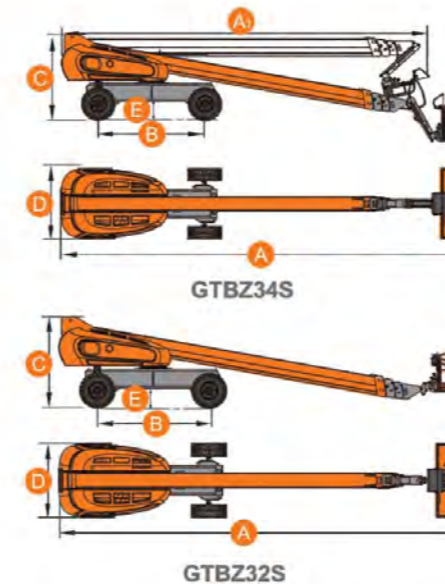
Self-Propelled Telescopic Boom Lifts



	GTBZ34S	GTBZ32S
S.W.L(Unrestricted)	230kg	340kg
S.W.L(Restricted)	450kg	450kg
Max.Working Height(Unrestricted)	34.00m	32.00m
Max.Working Height(Restricted)	31.00m	29.00m
Max.Platform Height(Unrestricted)	32.00m	30.00m
Max.Platform Height(Restricted)	29.00m	27.00m
Max.Horizontal Reach(Unrestricted)	22.00m	21.00m
Max.Horizontal Reach(Restricted)	19.00m	18.00m
Turntable Tailswing(Axle Retracted)	1.95m	1.95m
Turntable Tailswing(Axle Extended)	1.30m	1.30m
Under Ground Reach	3.00m	1.10m
A Overall Length(Stowed)	14.53m	13.34m
A ₁ Overall Length(Transport)	12.23m	13.34m
D Overall Width(Axle Retracted)	2.50m	2.50m
D Overall Width(Axle Extended)	3.80m	3.80m
C Overall Height	3.05m	3.05m
Platform Size(Length/Width)	2.40m×0.90m	2.40m×0.90m
E Ground Clearance	0.32m	0.32m
B Wheelbase	3.80m	3.80m
Turning Radius		
Inside/Outside(Axle Retracted)	4.18m/5.15m	4.18m/5.15m
Inside/Outside(Axle Extended)	2.37m/3.78m	2.37m/3.78m
Turret Rotation	360°Continuous	360°Continuous
Platform Rotation	±90°	±90°
Jib Movement	+70°/-60°	-
Engine		
Perkins 804-33T	62kW/2600rpm	62kW/2600rpm
Deutz TD 2.9 L4 - Option	55.4kW/2600rpm	55.4kW/2600rpm
Fuel	Diesel	Diesel
Travel Speed(Stowed)	5.1km/h	5.1km/h
Travel Speed(Raised)	≤1.1km/h	≤1.1km/h
Gradeability	40%	40%
Max.Working Slope	5°	5°
Hydraulic Tank	280L	280L
Diesel Tank	150L	150L
Tyres	385/65-22.5	385/65-22.5
Weight	18250kg	18000kg



Restricted
Unrestricted



Standard Equipment

- Can Bus Technology
- Proportional Controls
- Safety Electric Pump
- Horn
- Hour Meter
- Overload Sensor With Alarm
- Tilt Sensor
- 360° Continuous Turntable Rotation
- Self-leveling Platform
- Onboard Diagnostic System
- Hydraulic Platform Rotation
- Anti-restart Engine Protection
- The Glow Plugs For Cold Starting
- Extendable Axles
- Oscillating Axle
- 4WD
- 4WS
- European III Emission Engine
- Deadman
- Hydraulic Oil Cooler
- Rough Terrain Foam-filled Tyres

Options

- Hydraulic Generator
- Hydraulic Compressor
- Hydraulic Water Pump
- AC Power To Platform
- Hydraulic Welder
- Platform Work Lights
- European IV Emission Engine



Flashing Beacon



Transport Lock Pin



Waterproof Platform Control



Platform Work Lights



4WS



Extendable Axles

